

# AP Dynamometer Specifications

## Pound Capacities

5" (125mm) Dial Size		10" (250 mm) Dial Size		Ultimate Safety Factor	
Part number	Cap x division size	Part number	Cap x division size		
LOW	30006-0019	500 x 5	30007-0018	500 x 2	5:1
	30006-0027	1,000 x 10	30007-0026	1,000 x 5	5:1
	30006-0035	2,000 x 20	30007-0034	2,000 x 10	5:1
	30006-0043	4,000 x 25	30007-0042	4,000 x 20	5:1
	30006-0050	5,000 x 50	30007-0059	5,000 x 20	5:1
	30006-0068	6,000 x 50	30007-0067	6,000 x 25	5:1
	30006-0076	8,000 x 50	30007-0075	8,000 x 50	5:1
	30006-0084	10,000 x 100	30007-0083	10,000 x 50	5:1
MED	30006-0092	15,000 x 100	30007-0091	15,000 x 100	5:1
	30006-0100	20,000 x 200	30007-0109	20,000 x 100	4.5:1
HIGH		30784-0017	30,000 x 200		5:1
		30784-0025	40,000 x 200		4:1
		30784-0033	50,000 x 200		3:1

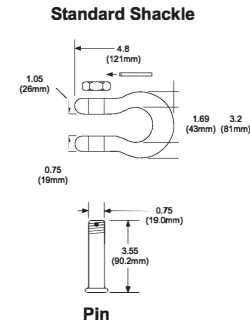
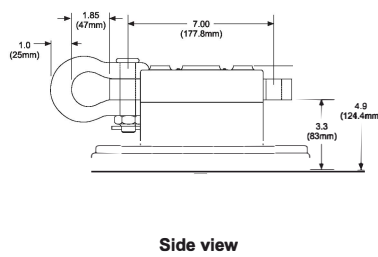
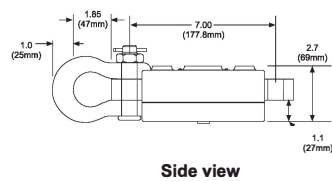
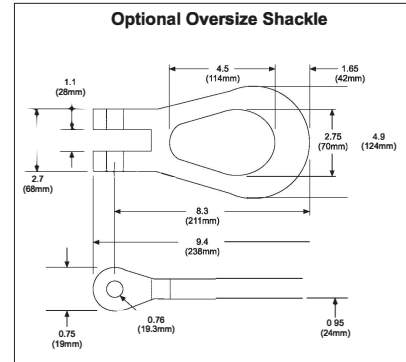
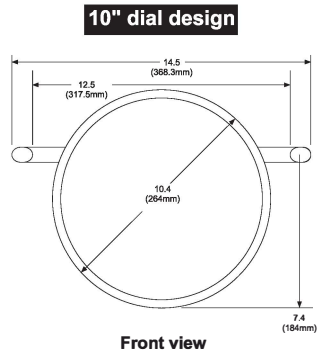
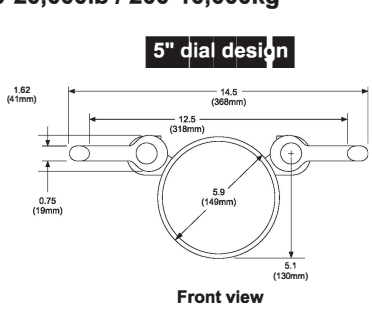
## Kilogram Capacities

5" (125mm) Dial size		10" (250mm) Dial size		Ultimate Safety Factor	
Part number	Cap x division size	Part number	Cap x division size		
LOW	30006-0142	200 x 2	30007-0141	200 x 1	5:1
	30006-0134	500 x 5	30007-0133	500 x 2	5:1
	30006-0159	1,000 x 10	30007-0158	1,000 x 5	5:1
	30006-0126	2,000 x 20	30007-0125	2,000 x 10	5:1
	30006-0167	4,000 x 25	30007-0166	4,000 x 20	5:1
	30006-0175	5,000 x 50	30007-0174	5,000 x 20	5:1
MED	30006-0118	10,000 x 100	30007-0117	10,000 x 50	4.5:1
HIGH		30784-0041	15,000 x 100		5:1
		30784-0058	20,000 x 100		4:1

## Model AP Dynamometer Dimensions

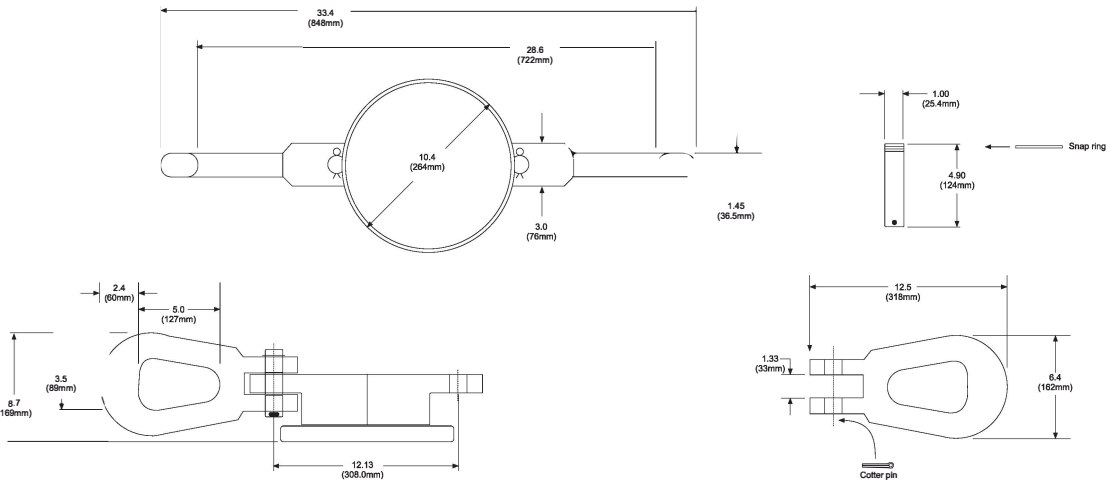
Dimensions in inches (mm)  
 Drawing scales differ between capacities  
 Dimensions subject to manufacturer /supplier tolerances and  
 are subject to change without notice.

### Low & Medium Capacities 500-20,000lb / 200-10,000kg



### High Capacities 30,000-50,000lb / 15,000-20,000kg

For smaller, lighter and/or anchor shackles see Dillon APxtreme.



## Model AP Mechanical Dynamometer Specifications

**Accuracy:**  $\pm 0.5\%$  of capacity

**Temperature range:** -50° to 140° F (-45° to 60° C)

**Ultimate Safety Factor:**

See table on cover for minimum USF

**Construction:**

*Pressure bar—*

High-grade E4340 alloy steel or 7075-T651 aluminum

*Shackles –*

A4140 forged steel (machined from E4340 steel)

*Shackle pins –*

Machined from E4340 steel

**Case housing:**

5" models are equipped with high strength composite plastic case.

10" models use cast aluminum enclosure.

**Corrosion protection:** Pressure bar protected with durable powder coat paint. Shackles and pins are electroless nickel plated. All integral machining and fasteners are produced from noncorrosive materials or have suitable plating.

**Zero control:** Zero up to 20% of capacity. Zeroed load must be considered as part of ultimate load.

**Calibration:** Traceable to NIST.

**Documentation:** Includes User's Guide and signed calibration card.

**Carry case/crate:**

Low/Med capacity 5" dial – includes plastic carry case

Low/Med capacity 10" dial – optional steel carry case

All high capacity – includes reinforced plywood crate

**Periodic proof loads:** Controlled 150% proof loads permitted annually.

**Shipping and packing** (approximate weights):

5" Low and Med capacities

Net weight	9 lb
Shipping weight	15 lb
Shipping box	16" x 11" x 7"

10" Low and Med capacities

Net weight	16 lb
Shipping weight	26 lb
Shipping box	14" x 14" x 7"

30,000 – 50,000 lb (15,000 – 20,000 kg) High capacity

Net weight	64 lb
Shipping weight	98 lb
Shipping crate	37.5" x 13" x 10.5"

