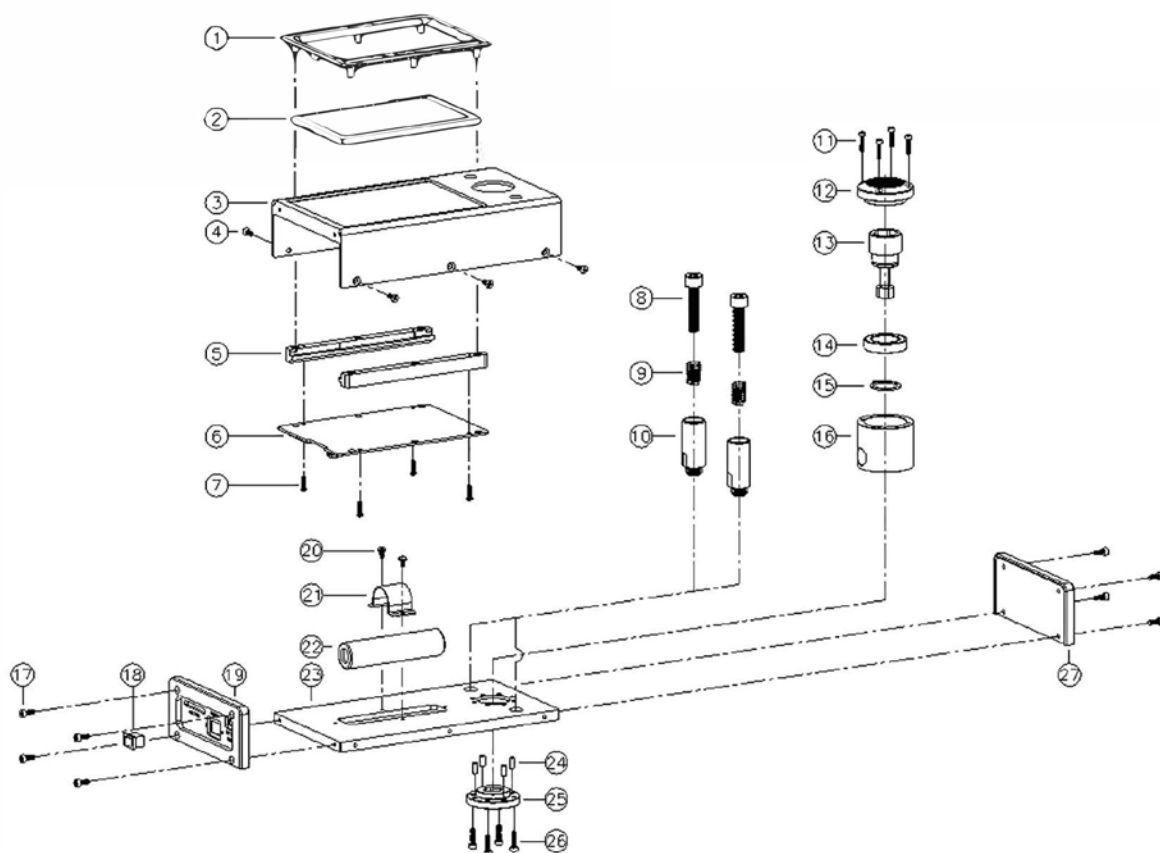


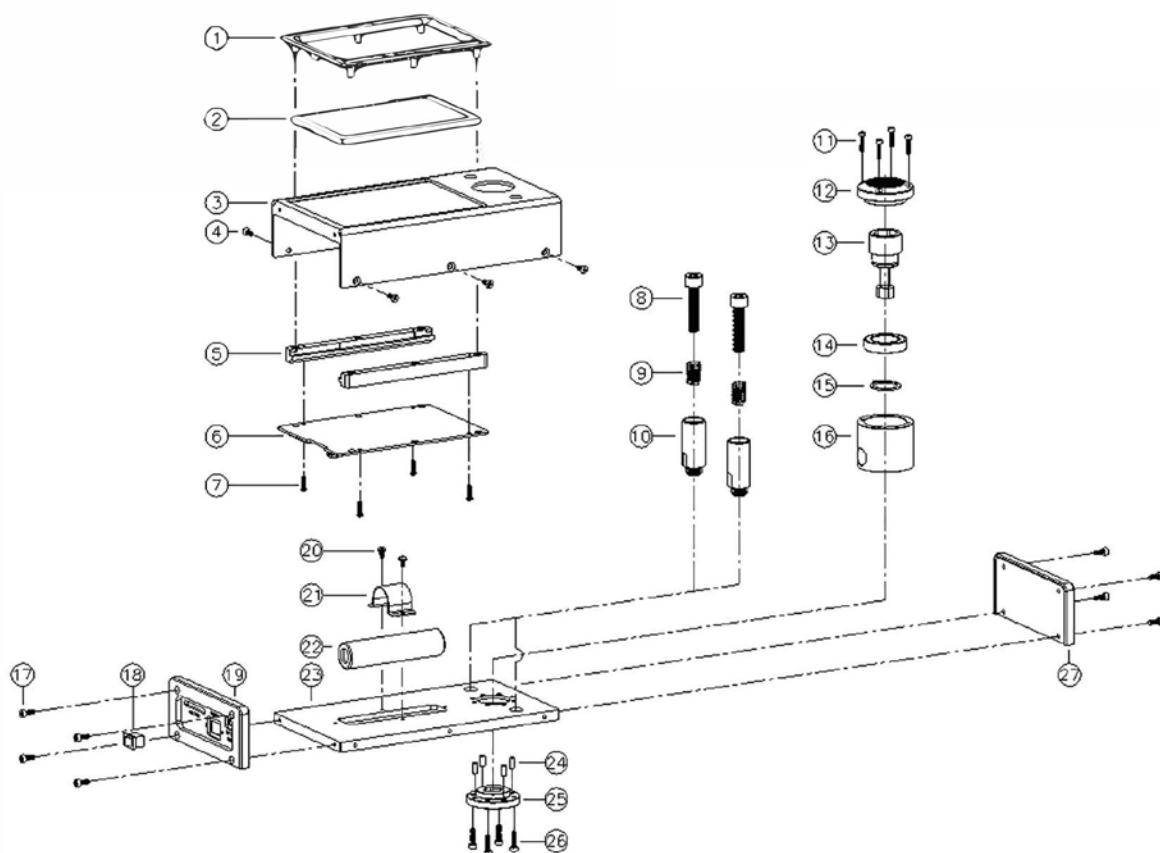
## EZ-TorQ III 10i Parts List



| No. | Part Number | Description                | Qty. | No. | Part Number | Description           | Qty. |
|-----|-------------|----------------------------|------|-----|-------------|-----------------------|------|
| 1.  | 70-500889   | Bezel                      | 1    | 16. | 70-500853   | Transducer Housing    | 1    |
| 2.  | 70-300501   | LCD Assembly               | 1    | 17. | 70-500277   | Wrench Bolt           | 8    |
| 3.  | 70-500856   | EZ-TorQ III Enclosure      | 1    | 18. | 70-300504   | Rocker Switch Ass'y   | 1    |
| 4.  | 70-500268   | Screw                      | 6    | 19. | 70-500859   | Left Cover            | 1    |
| 5.  | 70-500975   | LCD Fixed Plate            | 2    | 20. | 70-500477   | Screw                 | 2    |
| 6.  | 70-300217   | Main PCB                   | 1    | 21. | 70-500857   | Battery Holder        | 1    |
| 7.  | 70-500266   | Screw                      | 4    | 22. | 773175      | Battery Pack (Li-Ion) | 1    |
| 8.  | 70-501487   | Wrench Bolt                | 2    | 23. | 70-500858   | Base Plate            | 1    |
| 9.  | 70-500965   | Compression Spring         | 2    | 24. | 70-500264   | Pin                   | 2    |
| 10. | 70-500855   | Support, MTG Screw         | 2    | 25. | 70-500854   | Bottom Cover          | 1    |
| 11. | 70-500274   | Wrench Bolt                | 4    | 26. | 70-500278   | Wrench Bolt           | 4    |
| 12. | 70-500852   | Bearing Cover              | 1    | 27. | 70-500860   | Right Cover           | 1    |
| 13. | 070030      | Sensor for EZ-TorQ III 10i | 1    |     |             |                       |      |
| 14. | 70-500888   | Ball Bearing               | 1    |     |             |                       |      |
| 15. | 70-501488   | Snap Ring                  | 1    |     |             |                       |      |

# EZ-TorQ III 50i Parts List

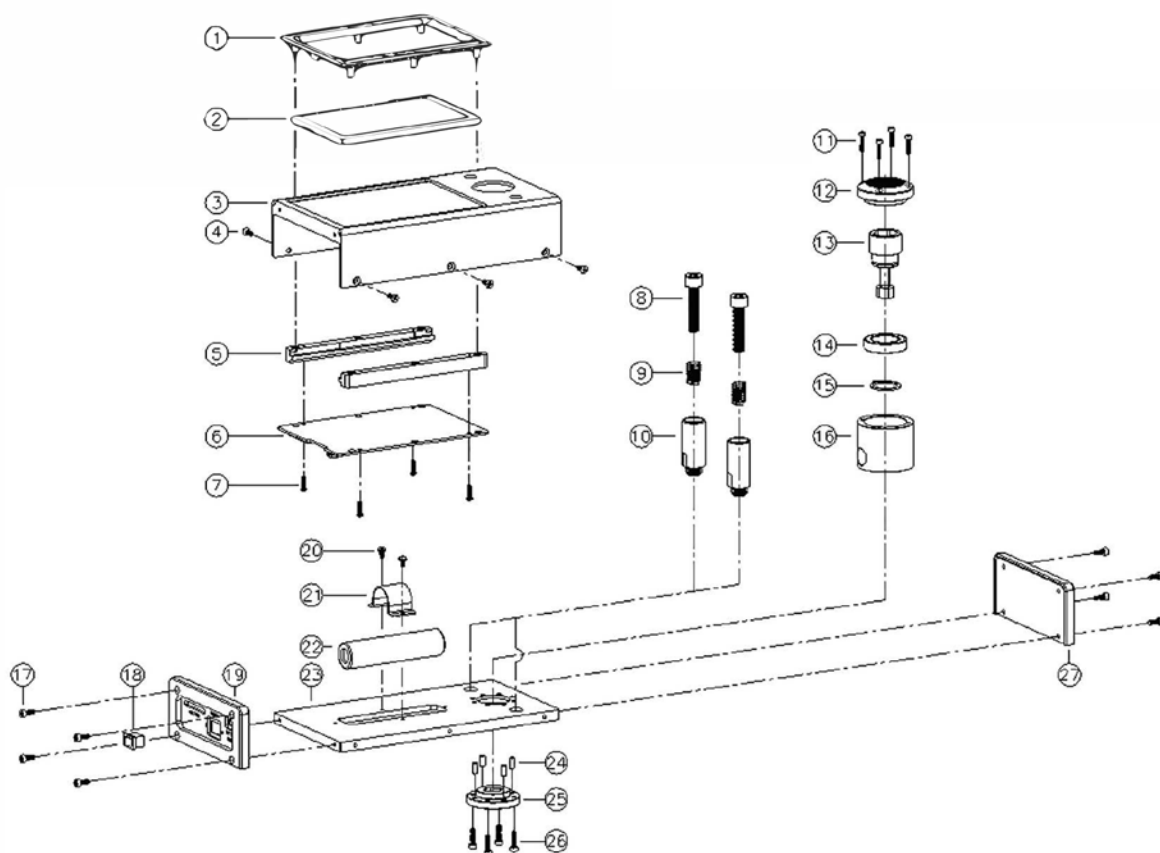
March 10, 2021



| No. | Part Number | Description                | Qty. | No. | Part Number | Description           | Qty. |
|-----|-------------|----------------------------|------|-----|-------------|-----------------------|------|
| 1.  | 70-500889   | Bezel                      | 1    | 16. | 70-500853   | Transducer Housing    | 1    |
| 2.  | 70-300501   | LCD Assembly               | 1    | 17. | 70-500277   | Wrench Bolt           | 8    |
| 3.  | 70-500856   | EZ-TorQ III Enclosure      | 1    | 18. | 70-300504   | Rocker Switch Ass'y   | 1    |
| 4.  | 70-500268   | Screw                      | 6    | 19. | 70-500859   | Left Cover            | 1    |
| 5.  | 70-500975   | LCD Fixed Plate            | 2    | 20. | 70-500477   | Screw                 | 2    |
| 6.  | 70-300217   | Main PCB                   | 1    | 21. | 70-500857   | Battery Holder        | 1    |
| 7.  | 70-500266   | Screw                      | 4    | 22. | 773175      | Battery Pack (Li-Ion) | 1    |
| 8.  | 70-501487   | Wrench Bolt                | 2    | 23. | 70-500858   | Base Plate            | 1    |
| 9.  | 70-500965   | Compression Spring         | 2    | 24. | 70-500264   | Pin                   | 2    |
| 10. | 70-500855   | Support, MTG Screw         | 2    | 25. | 70-500854   | Bottom Cover          | 1    |
| 11. | 70-500274   | Wrench Bolt                | 4    | 26. | 70-500278   | Wrench Bolt           | 4    |
| 12. | 70-500852   | Bearing Cover              | 1    | 27. | 70-500860   | Right Cover           | 1    |
| 13. | 070031      | Sensor for EZ-TorQ III 50i | 1    |     |             |                       |      |
| 14. | 70-500888   | Ball Bearing               | 1    |     |             |                       |      |
| 15. | 70-501488   | Snap Ring                  | 1    |     |             |                       |      |

# EZ-TorQ III 100i Parts List

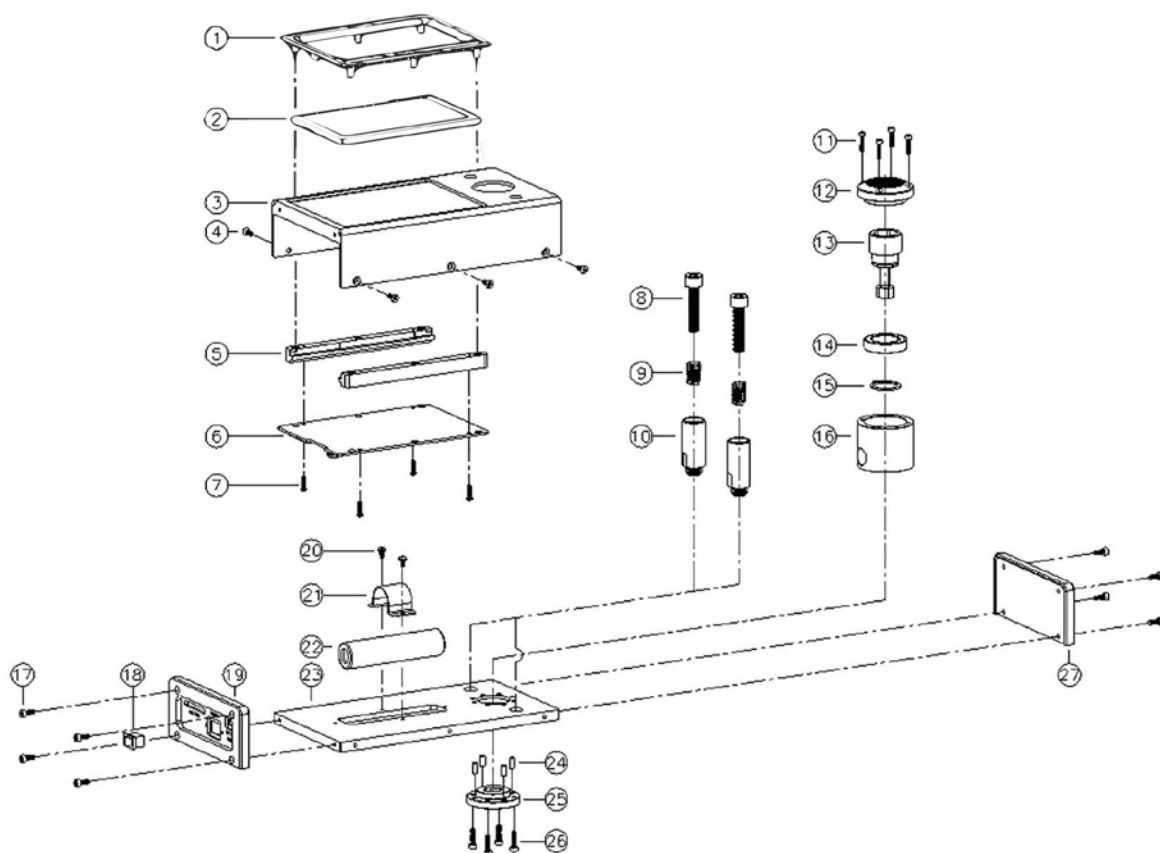
March 10, 2021



| No. | Part Number | Description                 | Qty. | No. | Part Number | Description           | Qty. |
|-----|-------------|-----------------------------|------|-----|-------------|-----------------------|------|
| 1.  | 70-500889   | Bezel                       | 1    | 16. | 70-500853   | Transducer Housing    | 1    |
| 2.  | 70-300501   | LCD Assembly                | 1    | 17. | 70-500277   | Wrench Bolt           | 8    |
| 3.  | 70-500856   | EZ-TorQ III Enclosure       | 1    | 18. | 70-300504   | Rocker Switch Ass'y   | 1    |
| 4.  | 70-500268   | Screw                       | 6    | 19. | 70-500859   | Left Cover            | 1    |
| 5.  | 70-500975   | LCD Fixed Plate             | 2    | 20. | 70-500477   | Screw                 | 2    |
| 6.  | 70-300217   | Main PCB                    | 1    | 21. | 70-500857   | Battery Holder        | 1    |
| 7.  | 70-500266   | Screw                       | 4    | 22. | 773175      | Battery Pack (Li-Ion) | 1    |
| 8.  | 70-501487   | Wrench Bolt                 | 2    | 23. | 70-500858   | Base Plate            | 1    |
| 9.  | 70-500965   | Compression Spring          | 2    | 24. | 70-500264   | Pin                   | 2    |
| 10. | 70-500855   | Support, MTG Screw          | 2    | 25. | 70-500854   | Bottom Cover          | 1    |
| 11. | 70-500274   | Wrench Bolt                 | 4    | 26. | 70-500278   | Wrench Bolt           | 4    |
| 12. | 70-500852   | Bearing Cover               | 1    | 27. | 70-500860   | Right Cover           | 1    |
| 13. | 070032      | Sensor for EZ-TorQ III 100i | 1    |     |             |                       |      |
| 14. | 70-500888   | Ball Bearing                | 1    |     |             |                       |      |
| 15. | 70-501488   | Snap Ring                   | 1    |     |             |                       |      |

# EZ-TorQ III 150i Parts List

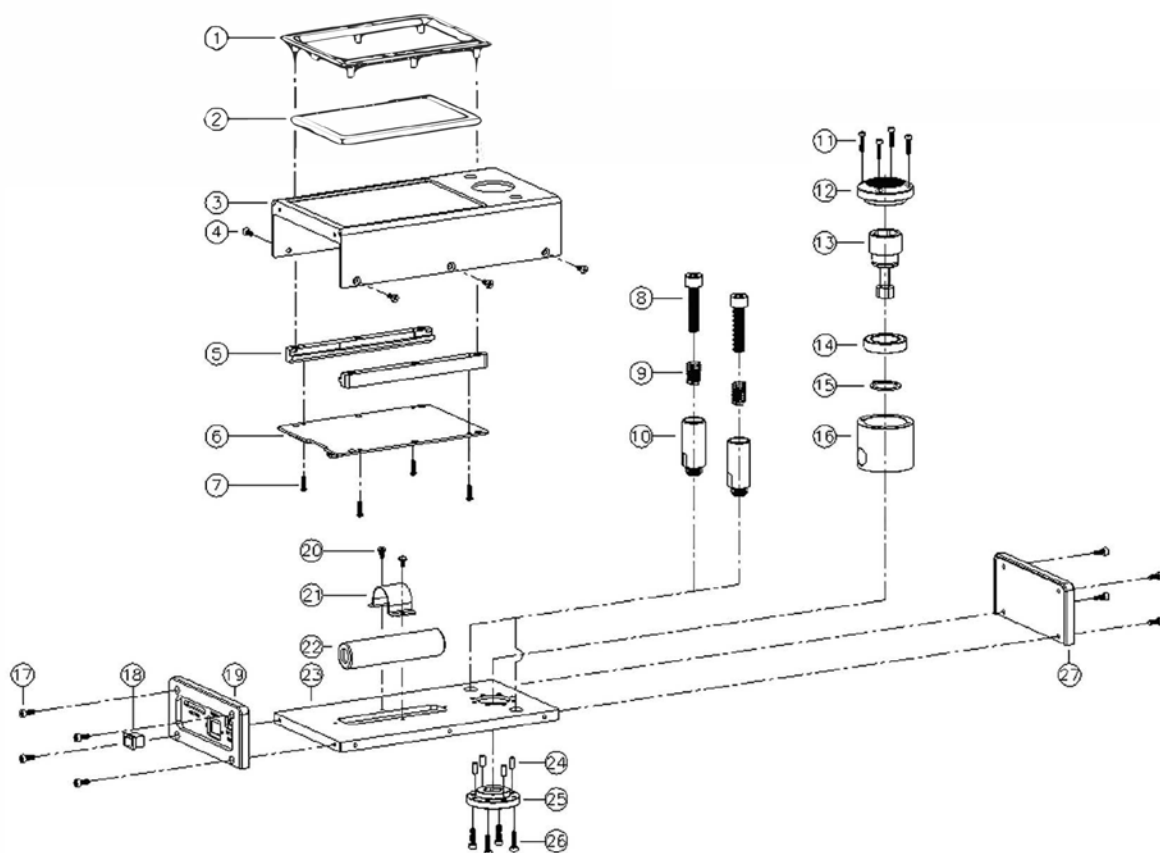
March 10, 2021



| No. | Part Number | Description                 | Qty. | No. | Part Number | Description           | Qty. |
|-----|-------------|-----------------------------|------|-----|-------------|-----------------------|------|
| 1.  | 70-500889   | Bezel                       | 1    | 16. | 70-500853   | Transducer Housing    | 1    |
| 2.  | 70-300501   | LCD Assembly                | 1    | 17. | 70-500277   | Wrench Bolt           | 8    |
| 3.  | 70-500856   | EZ-TorQ III Enclosure       | 1    | 18. | 70-300504   | Rocker Switch Ass'y   | 1    |
| 4.  | 70-500268   | Screw                       | 6    | 19. | 70-500859   | Left Cover            | 1    |
| 5.  | 70-500975   | LCD Fixed Plate             | 2    | 20. | 70-500477   | Screw                 | 2    |
| 6.  | 70-300217   | Main PCB                    | 1    | 21. | 70-500857   | Battery Holder        | 1    |
| 7.  | 70-500266   | Screw                       | 4    | 22. | 773175      | Battery Pack (Li-Ion) | 1    |
| 8.  | 70-501487   | Wrench Bolt                 | 2    | 23. | 70-500858   | Base Plate            | 1    |
| 9.  | 70-500965   | Compression Spring          | 2    | 24. | 70-500264   | Pin                   | 2    |
| 10. | 70-500855   | Support, MTG Screw          | 2    | 25. | 70-500854   | Bottom Cover          | 1    |
| 11. | 70-500274   | Wrench Bolt                 | 4    | 26. | 70-500278   | Wrench Bolt           | 4    |
| 12. | 70-500852   | Bearing Cover               | 1    | 27. | 70-500860   | Right Cover           | 1    |
| 13. | 070033      | Sensor for EZ-TorQ III 150i | 1    |     |             |                       |      |
| 14. | 70-500888   | Ball Bearing                | 1    |     |             |                       |      |
| 15. | 70-501488   | Snap Ring                   | 1    |     |             |                       |      |

# EZ-TorQ III 300i Parts List

March 10, 2021



| No. | Part Number | Description                 | Qty. | No. | Part Number | Description           | Qty. |
|-----|-------------|-----------------------------|------|-----|-------------|-----------------------|------|
| 1.  | 70-500889   | Bezel                       | 1    | 16. | 70-500853   | Transducer Housing    | 1    |
| 2.  | 70-300501   | LCD Assembly                | 1    | 17. | 70-500277   | Wrench Bolt           | 8    |
| 3.  | 70-500856   | EZ-TorQ III Enclosure       | 1    | 18. | 70-300504   | Rocker Switch Ass'y   | 1    |
| 4.  | 70-500268   | Screw                       | 6    | 19. | 70-500859   | Left Cover            | 1    |
| 5.  | 70-500975   | LCD Fixed Plate             | 2    | 20. | 70-500477   | Screw                 | 2    |
| 6.  | 70-300217   | Main PCB                    | 1    | 21. | 70-500857   | Battery Holder        | 1    |
| 7.  | 70-500266   | Screw                       | 4    | 22. | 773175      | Battery Pack (Li-Ion) | 1    |
| 8.  | 70-501487   | Wrench Bolt                 | 2    | 23. | 70-500858   | Base Plate            | 1    |
| 9.  | 70-500965   | Compression Spring          | 2    | 24. | 70-500264   | Pin                   | 2    |
| 10. | 70-500855   | Support, MTG Screw          | 2    | 25. | 70-500854   | Bottom Cover          | 1    |
| 11. | 70-500274   | Wrench Bolt                 | 4    | 26. | 70-500278   | Wrench Bolt           | 4    |
| 12. | 70-500852   | Bearing Cover               | 1    | 27. | 70-500860   | Right Cover           | 1    |
| 13. | 070034      | Sensor for EZ-TorQ III 300i | 1    |     |             |                       |      |
| 14. | 70-500888   | Ball Bearing                | 1    |     |             |                       |      |
| 15. | 70-501488   | Snap Ring                   | 1    |     |             |                       |      |

## Safety Data Sheet

### 1. Product and Company Identification

**Important Note:** As a solid, manufactured article, exposure to hazardous ingredients is not expected with normal use. This battery is an article pursuant to 29 CFR 1910.1200 and, as such, is not subject to the OSHA Hazard Communication Standard requirement. The information contained in this Safety Data Sheet contains valuable information critical to the safe handling and proper use of the product. This SDS should be retained and available for employees and other users of this product.

**Commercial product name**  
INR21700-50E

**Use of the substance/preparation**  
Lithium-ion batteries

**Synonyms**  
Lithium-ion Cell, Lithium-ion Pack, Lithium-ion Battery, Li-Ion Cell, Li-Ion Pack, Li-Ion Battery

**Manufacturer**  
SAMSUNG SDI Co., Ltd.

**Address**  
HQ: 150-20, Gongse-ro, Giheung-gu, Yongin-si, Gyeonggi-do, Korea

**Company/undertaking identification**  
Emergency Contact(Chemtrec)  
1-800-424-9300: US and Canada / 1-703-527-3887: International

### Further Information

Battery-System: Lithium-ion (Li-ion)

Nominal Voltage: 3.63 V  
Rated Capacity: 4,753 Ah  
Wh rating: 17.2 Wh

Anode (negative electrode): based on intercalation graphite  
Cathode (positive electrode): based on lithiated metal oxide (Cobalt, Nickel or Manganese)

### Remark:

The information and recommendations set forth are made in good faith and believed to be accurate as of the date of preparation. SAMSUNG SDI Co., Ltd. makes no warranty, expressed or implied, with respect to this information and disclaims all liabilities from reliance on it.

### 2. Hazards Identification

#### Classification of the substance or mixture.

**Preparation Hazards and Classification:** The product is a Lithium ion cell or battery and is therefore classified as an article and is not hazardous when used according to the recommendations of the manufacturer. The hazard is associated with the contents of the cell or battery. Under recommended use conditions, the electrode materials and liquid electrolyte are non-reactive provided that the cell or battery integrity remains and the seals remain intact. The potential for exposure should not exist unless the cell or battery leaks, is exposed to high temperatures or is mechanically, electrically or physically abused/damaged. If the cell or battery is compromised and starts to leak, based upon the battery ingredients, the contents are classified as Hazardous.

#### Hazard Summary

**Physical hazards:** Not classified for physical hazards.

**Health hazards:** Not classified for health hazards.

**Environmental hazards:** Not classified for hazards to the environment.

**Specific hazards:** Exposure to contents of an open or damaged cell or battery; contact with this material will cause burns to the skin, eyes and mucous membranes. May cause sensitization by skin contact.

**Main Symptoms:** Symptoms include itching, burning, redness and tearing.

#### Hazardous Materials Information Label (HMIS)

Health: 0

Flammability: 1

Physical Hazard: 0

#### NFPA Hazard Ratings

Health: 0

Flammability: 1

Reactivity: 0

Unique Hazard:

#### Labelling

If the cell or battery is compromised and starts to leak, based upon the battery ingredients, the contents are classified as Hazardous

#### Symbol:



Signal word: Danger

#### GHS precautionary statements

|  |   |
|--|---|
| Precautionary Statement(s)<br>Prevention | P102: Keep out of reach of children.<br>P103: Read label prior to use.<br>P202: Do not handle until all safety precautions have been read and understood.<br>P210: Keep away from heat/sparks/open flames/hot surfaces – No smoking.<br>P234: Keep only in original container.<br>P254: Wash hands thoroughly after handling. |
|--|---|

|  |   |
|--|---|
| Response<br>(If cell/battery leaks)          | P260: Do not breathe vapor or spray.<br>P280: Wear protective gloves/protective clothing/eye protection/face protection.<br>P301/330/331: IF SWALLOWED: Rinse mouth. DO NOT induce vomiting.<br>P303/361/353: IF ON SKIN (or hair): Remove/Take off immediately all contaminated clothing. Rinse skin with water/shower.<br>P304/340: If INHALED: Remove victim to fresh air and keep at rest in a position comfortable for breathing.<br>P305/351/338: IF IN EYES: Rinse cautiously with water for several minutes. Remove contact lenses, if present and easy to do. Continue rinsing.<br>P310: Immediately call a POISON CENTER or doctor/physician.<br>P363: Wash contaminated clothing before reuse.<br>P370: In case of fire: Use carbon dioxide, dry chemical or water extinguisher. |
| Storage<br>(Store as indicated in Section 7) | P402: Store in a dry place.<br>P405: Store locked up.<br>P410: Protect from sunlight.   |
| Disposal                                     | P406: Store any spilled/leaking electrolyte material in a corrosive resistant container with a resistant inner liner.<br>P501: Dispose of batteries in accordance with applicable hazardous waste regulations.  |

#### Other Hazards.

**Appearance, Color and Odor:** Solid object with no odor.

**Primary Routes(s) of Exposure:** These chemicals are contained in a sealed enclosure. Risk of exposure occurs only if the cell or pack is mechanically, thermally, electrically or physically abused to the point of compromising the enclosure.

If this occurs, exposure to the electrolyte solution contained within can occur by inhalation, ingestion, eye contact and skin contact.

#### Potential Health Effect(s):

**Acute (short term):** see Section 8 for exposure controls.

In the event that this cell or pack has been ruptured, the electrolyte solution contained within the cell would be corrosive and can cause burns to skin and eyes.

**Inhalation:** Inhalation of materials from a sealed cell is not an expected route of exposure. Vapors or mists from a ruptured cell may cause respiratory irritation.

**Ingestion:** Swallowing of materials from a sealed cell is not an expected route of exposure. Swallowing the contents of an open cell can cause serious chemical burns to mouth, esophagus, and gastrointestinal tract.

**Skin:** Contact between the cell and skin will not cause any harm. Skin contact with the contents of an open cell can cause severe irritation or burns to the skin.

**Eye:** Contact between the cell and the eye will not cause any harm. Eye contact with the contents of an open cell can cause severe irritation or burns to the eye.

**CHRONIC (long term):** see Section 11 for additional toxicological data.

**Interactions with other chemicals:** Immersion in high conductivity liquids may cause corrosion and breaching of the cell or battery enclosure. The electrolyte solution inside of the cells may react with alkaline (basic) materials and present a flammability hazard.

**Potential Environmental Effects:** Not Available.

### 3. Composition/information on ingredients

#### Hazardous components

|                                     | Chemical Name  | CAS No.                                     | *Mass range in cell (g/g %) |
|-------------------------------------|--|---|-----------------------------|
| Electrolyte                         | Contains Electrolyte salt and solvents.  |   | 5-20                        |
| Electrolyte salt                    | Lithium hexafluorophosphate  | 21324-40-3                                  | 0.05-5                      |
| Electrolyte solvent                 | Includes one or more of the following;<br>Ethylene Carbonate<br>Propylene Carbonate<br>Diethyl Carbonate<br>Ethyl propionate | 96-49-1<br>108-32-7<br>105-58-8<br>105-37-3 | 5-20                        |
| PVDF                                | Polyvinylidene fluoride  | 24937-79-9                                  | <1                          |
| Copper                              | Cu   | 7440-50-8                                   | 3-15                        |
| Aluminium                           | Al   | 7429-90-5                                   | 2-10                        |
| Cathode                             | Lithium cobalt oxide   | 12190-79-3                                  | 20-50                       |
| Anode                               | Graphite   | 7782-42-5                                   | 10-30                       |
| Steel, Nickel, and inert components |  | Various                                     | Balance                     |

Because of the cell structure the dangerous ingredients will not be available if used properly. During charge process a lithium graphite intercalation phase is formed.

### 4. First Aid Measures

#### Description of first aid measures

The hazardous components of this cell or battery are contained within a sealed unit. The following measures are only applicable if exposure has occurred to components when a cell or battery leaks, is exposed to high temperatures or is mechanically, electrically or physically abused/damaged. The hazardous contents are caustic alkaline electrolytes contained in cells with lithium metal oxide cathodes, graphite and carbon anodes and Polyvinylidene fluoride binders.

**Ingestion:** Have victim rinse mouth thoroughly with water. DO NOT INDUCE VOMITING. Quickly transport victim to an emergency care facility.

**EYE:** If eye contact with contents of an open cell occurs, immediately flush the contaminated eye(s) with water. Quickly transport victim to an emergency care facility.

**Skin Contact:** Immediately flush with water. If irritation or pain persists, seek medical attention.

**Inhalation:** Remove the patient from exposure into fresh air, seek medical attention.

#### PROTECTION FOR FIRST

**AIDERS:** Do not enter corrosive vapor contaminated areas without a respirator or Self Contained Breathing Apparatus. Wear adequate personal protective equipment as indicated in Section 8.

**FIRST AID FACILITIES:** Eye wash bottle, fountain, safety showers or at least a source of running water are required in the area where the product is used.

#### Most important symptoms & effects, acute & delayed, caused by exposure:

**ACUTE:** The contents of the battery are rated as corrosive. Ingestion of the electrolyte could lead to severe gastrointestinal tract irritation with nausea, vomiting and potentially burns. Inhalation of vapors may lead to severe irritation of the mouth and upper respiratory tract with a burning sensation, pain, burns and inflammation in the nose and throat; there may also be coughing or difficulty breathing. Eye contact may lead to severe eye irritation

or in worst case scenario irreversible damage and possible eye burns. Skin contact may lead to irritation and possible skin burns.

**CHRONIC:** Skin contact may aggravate/exacerbate existing skin conditions, such as dermatitis. Chronic inhalation may lead to the same symptoms as listed for acute inhalation above.

**Indication of any immediate medical attention and special treatment needed**

**ADVICE TO DOCTOR:** Treat symptomatically if the person comes into contact with the corrosive electrolyte liquid contents of a damaged battery.

**5. Fire Fighting Measures**

**Suitable extinguishing media**

Cold water and dry powder in large amount are applicable.  
Use metal fire extinction powder or dry sand if only few cells are involved.

**Special hazards arising from the chemical**

May form hydrofluoric acid if electrolyte comes into contact with water.  
In case of fire, the formation of the following flue gases cannot be excluded:  
Hydrogen fluoride (HF), Carbon monoxide and carbon dioxide.

**Protective equipment and precautions for firefighters**

Wear self-contained breathing apparatus and protective suit.

**Additional information**

If possible, remove cell(s) from fire fighting area. If heated above 125°C, cell(s) can explode/vent. Cell is not flammable but internal organic material will burn if the cell is incinerated.

**6. Accidental Release Measures**

**Personal precautions, protective equipment and emergency procedures:**

As an immediate precautionary measure, isolate spill or leak area for at least 25 meters (75 feet) in all directions. Keep unauthorized personnel away. Stay upwind. Keep out of low areas. Ventilate closed areas before entering. Wear adequate personal protective equipment as indicated in Section 8.

**Environmental precautions**

Absorb spilled material with non-reactive absorbent such as vermiculite, clay or earth. Prevent from migration into soil, sewers and natural waterways – inform local authorities if this occurs.

**Methods and material for containment and cleaning up**

Evacuate spill area immediately and remove sources of ignition. Do NOT touch spilled material. Cleanup personnel must be trained in the safe handling of this product. Spills may be absorbed on non-reactive absorbents such as vermiculite. Place cells or batteries into individual plastic bags and then place into appropriate containers and close tightly for disposal. Ensure that cleanup procedures do not expose spilled material to any moisture. Immediately transport closed containers outside. Lined steel drums are suitable for storage of damaged cells or batteries until proper disposal can be arranged.

**7. Handling and Storage**

**Precaution for Handling**

Avoid short circuiting the cell. Avoid mechanical damage of the cell. Do not open or disassemble.

Advice on protection against fire and explosion  
Keep away from open flames, hot surfaces and sources of ignition.

**Condition for storage**

Storage at room temperature (approx. 20°C) at approx. 20–60% of the nominal capacity (OCV approx. 3.6 - 3.9 V/cell).  
Keep in closed original container.

**8. Exposure controls/personal protection Exposure limit values Exposure limits**

**Exposure Control Measures**

**Exposure Limit Values:** Airborne exposures to hazardous substances are not expected when the cells or batteries are used for their intended purposes. Exposure standards are not applicable to the sealed articles.

**Biological Monitoring:** Not applicable.

**Control Banding:** Not applicable.

**Recommended monitoring procedures:** Follow standard monitoring procedures.

**Derived no-effect level (DNEL):** Not applicable.

**Derived minimal effect level (DMEL):** Not applicable.

**Predicted no-effect concentrations (PNECs):** Not applicable.

**Engineering Controls**

**Engineering Controls:** Special ventilation is not required when using these products in normal use scenarios. Ventilation is required if there is leakage from the cell or battery.

**Individual Protection Measures**

**Eye and Face protection:** Eye protection is not required when handling cells or batteries during normal use. Wear safety glasses/goggles if handling a leaking or ruptured cell or battery.

**Skin (Hand) protection:** Hand protection is not required when handling the cell or battery during normal use. PVC gloves are recommended when dealing with a leaking or ruptured cell or battery.

**Skin (clothing) protection:** Skin protection is not required when handling the cell or battery during normal use. Wear long sleeved clothing to avoid skin contact if handling a leaking or ruptured cell or battery. Soiled clothing should be washed with detergent prior to re-use.

**Respiratory protection:** During routine operation, a respirator is not required. However, if dealing with an electrolyte leakage and irritating vapors are generated, an approved half face inorganic vapor and gas/acid/particulate respirator is required.

**Thermal Protection:** Not applicable.

**Other Protective Equipment:** Have a safety shower or eye wash station readily available

**Hygiene Measures:** Do not eat, drink or smoke in work areas. Avoid storing food, drink or tobacco near the product. Practice and maintain good housekeeping.

**Environmental exposure controls:** Avoid release to the environment.

**9. Physical and Chemical Properties**

**Appearance**

physical state,: Solid  
Color: Various  
Odor: Odorless

**Important health, safety and environmental information**

Test method  
pH Value: n.a.  
Flash point: n.a.  
Lower explosion limits: n.a.



|                       |           |
|-----------------------|-----------|
| Vapour pressure:      | n.a.      |
| Density:              | n.a.      |
| Water solubility:     | Insoluble |
| Ignition temperature: | n.a.      |

## **10. Stability and Reactivity**

### **Stability**

Stable

### **Conditions to avoid**

Keep away from open flames, hot surfaces and sources of ignition. Do not puncture, crush or incinerate.

### **Materials to avoid**

No materials to be especially mentioned.

### **Hazardous decomposition products**

In case of open cells, there is the possibility of hydrofluoric acid and carbon monoxide release.

### **Possibility of Hazardous Reactions**

Will not occur

### **Additional information**

No decomposition if stored and applied as directed.

## **11. Toxicological Information**

### **Information on toxicological effects:**

The hazardous components of the cell or battery are contained within a sealed unit. Under recommended use conditions, the electrode materials and liquid electrolyte are non-reactive provided that the cell or battery integrity remains and the seals remain intact. The potential for exposure should not exist unless the battery leaks, is exposed to high temperature or is mechanically, electrically or physically abused/damaged. **The following toxicology data is in respect to if a person comes into contact with the electrolyte.**

### **Acute Toxicity:**

**Swallowed:** The electrolyte contained within the cell or battery is a corrosive liquid. Ingestion of this electrolyte would be harmful. Swallowing may result in nausea, vomiting, diarrhea, abdominal pain and chemical burns to the gastrointestinal tract. During normal usage ingestion should not be a means of exposure.

**Eye:** The electrolyte contained within the cell or battery is a corrosive liquid and it is expected that it would cause irreversible damage to the eyes. Contact may cause corneal burns. Effects may be slow to heal after eye contact. Correct handling procedures incorporating appropriate eye protection should minimize the risk of eye irritation.

**Skin:** The electrolyte contained within the cell or battery is a corrosive liquid and it is expected that it would cause skin burns or severe irritation to the skin if not washed off immediately. Correct handling procedures should minimize the risk of skin irritation. People with pre-existing skin conditions, such as dermatitis, should take extreme care so as not to exacerbate the condition.

**Inhaled:** Inhalation of vapors from a leaking cell or battery is expected to cause severe irritation of the mouth and upper respiratory tract with a burning sensation, pain, burns and inflammation in the nose and throat; there may also be coughing or difficulty breathing.

**Skin Corrosion/Irritation:** The electrolyte contained within the cell or battery is classified as a corrosive liquid and is expected to exhibit Dermal Corrosivity/Irritation.

**Serious Eye Damage/Irritation:** The electrolyte contained within the cell or battery is classified as a corrosive liquid and is expected to exhibit serious Damage/Corrosivity.

**Respiratory or Skin Sensitization:** The electrolyte contained within the cell or battery is not expected to be a skin sensitizer according to OECD test 406, based on the available data and the known hazards of the components. The electrolyte contained within the battery is not expected to be a respiratory tract sensitizer, based on the available data and the known hazards of the components.

**Germ Cell Mutagenicity:** The electrolyte contained within the cell or battery is not expected to be mutagenic according to test such as OECD tests 471, 475, 476, 478 and 479, based on the available data and the known hazards of the components.

**Carcinogenicity:** The electrolyte contained within the cell or battery is not expected to be a carcinogen. The cathode contains Cobalt and Nickel components. These components are classified as IARC 2B – possibly carcinogenic to humans, however they do not pose a threat when contained in the cell or battery sealed unit.

**Reproductive Toxicity:** The electrolyte contained within the cell or battery is not expected to be a reproductive hazard according to test such as OECD tests 414 and 421, based on the available data and the known hazards of the components.

**Specific Target Organ Toxicity (STOT) – Single Exposure:** The electrolyte contained within the cell or battery is corrosive and is expected to cause respiratory irritation by inhalation. Inhalation of vapors may lead to severe irritation of the mouth and upper respiratory tract with a burning sensation, pain, burns and inflammation in the nose and throat; there may also be coughing or difficulty breathing.

**Specific Target Organ Toxicity (STOT) – Repeated Exposure:** The cells or batteries are not expected to cause organ damage from prolonged or repeated exposure according to tests such as OECD tests 410 and 412, based on the available data and the known hazards of the components.

**Aspiration Hazard:** The cells or batteries are not classified as an aspiration hazard, based on the available data and the known hazards of the components. However, due to the corrosive nature of the product if swallowed, do NOT induce vomiting. If vomiting has occurred after ingestion the person should be observed to ensure that aspiration into the lungs has not occurred and assessed for chemical burns to the gastrointestinal and respiratory tracts.

## **12. Ecological Information**

### **Further information**

Ecological injuries are not known or expected under normal use. Do not flush into surface water or sanitary sewer system.

## **13. Disposal Considerations**

### **Advice on disposal**

For recycling consult manufacturer.

### **Contaminated packaging**

Disposal in accordance with local regulations.

## **14. Transport Information**

With regard to transport, the following regulations are cited and considered:

- UN No. 3480
- UN proper shipping name: Lithium Ion Batteries.
- Transportation hazard class 9
- Air PI 965 Section I B: Dangerous Goods
- Sea, Land, Air PI965 Section II : Non dangerous Goods

- The International Civil Aviation Organization (ICAO) Technical Instructions, Packing Instruction 965, Section I B or II (2018-2019 Edition),
- The International Air Transport Association (IATA) Dangerous Goods Regulations, Packing Instruction 965, Section I B or II (59th Edition, 2018)
- The International Maritime Dangerous Goods (IMDG) Code [Special provision 188, 230, 384] (38-2016 Edition),
- US Hazardous Materials Regulations 49 CFR (Code of Federal Regulations) Sections 173.185 Lithium batteries and cells,
- The UN Recommendations on the Transport of Dangerous Goods, Manual of Tests and Criteria 38.3 Lithium batteries, Revision 3, Amendment 1 or any subsequent revision and amendment applicable at the date of the type (latest version is Revision 6)

If those lithium-ion batteries are packed with or contained in an equipment, then it is the responsibility of the shipper to ensure that the consignment are packed in compliance to the latest edition of the IATA Dangerous Goods Regulations section II of either Packing Instruction 966 or 967 in order for that consignment to be declared as NOT RESTRICTED (non-hazardous/non-Dangerous). If those lithium-ion batteries are packed with or contained in an equipment, UN No. is UN3481

Our products are properly classified, described, packaged, marked, and labeled, and are in proper condition for transportation according to all the applicable international and national governmental regulations, not limited to the above mentioned. We further certify that the enclosed products have been tested and fulfilled the requirements and conditions in accordance with UN Recommendations (T1 – T8) on the Transport of Dangerous Goods Model Regulations and the Manual of Testes and Criteria.

#### Test results of the UN Recommendation on the Transport of Dangerous Goods

| Manual of Test and Criteria (38.3 Lithium batteries) |                        | Test Results | Remark                                |
|--|------------------------|--------------|---------------------------------------|
| No   | Test item              |              |                                       |
| T1   | Altitude Simulation    | Pass         |                                       |
| T2   | Thermal Test           | Pass         |                                       |
| T3   | Vibration              | Pass         |                                       |
| T4   | Shock                  | Pass         |                                       |
| T5   | External Short Circuit | Pass         |                                       |
| T6   | Impact/Crush           | Pass         |                                       |
| T7   | Overcharge             | Pass         | For pack and single cell battery only |
| T8   | Forced Discharge       | Pass         |                                       |

## 15. Regulatory Information

### Canadian Federal Regulations:

These products have been classified in accordance with the hazard criteria of the Controlled Products Regulations and the SDS contains all the information required by the Controlled Products Regulations.

**WHMIS Classification:** Not Controlled, manufactured article.

**New Substance Notification Regulations:** Lithium hexafluorophosphate is listed on the Non-Domestic Substance List (NDSL). All other ingredients in the product are listed, as required, on Canada's Domestic Substances List (DSL).

**National Pollutant Release Inventory (NPRI) Substances:** These products do not contain any NPRI chemicals.

### United States Federal and State Regulations:

**TSCA Status:** All ingredients in these products are listed on the TSCA inventory.

**OSHA:** These products do not meet criteria as per Part 1910.1200, manufactured article.

**SARA EPA Title III:** None.

**Sec. 302/304:** None.

**Sec. 311/312:** None.

**Sec. 313:** None.

**CERCLA RQ:** None.

### Australia and New Zealand

**SUSMP:** Not applicable

**AICS:** All ingredients are on the AICS list.

**HSNO Approval number:** Not applicable

**HSNO Group Title:** Not applicable

**NOHSC:10008 Risk Phrases:** R34 - Causes Burns.

**NOHSC:1008 Safety Phrases:**

S1 – Keep locked up.

S2 – Keep out of reach of children.

S23 – Do not breathe vapor.

S24/25 – Avoid contact with skin and eyes.

S26 – In case of contact with eyes, rinse immediately with plenty of water and seek medical advice.

S27/28 – After contact with skin, take off immediately all contaminated clothing and wash immediately with plenty of water.

S36/37/39 – Wear suitable protective clothing, gloves and eye/face protection.

S56 – Dispose of this material and its container at hazardous waste or special waste collection point.

S62 – If swallowed, DO NOT induce vomiting; seek medical advice immediately and show this container or label.

S64 – If swallowed, rinse mouth with water (Only if the person is conscious).

### EC Classification for the Substance/Preparation:

These products are not classified as hazardous according to Regulation (EC) No. 1272/2008.

Keep out of the reach of children.

### EU Restrictions on use:

Regulation (EC) No. 1907/2006, REACH Annex XVII Substances subject to restriction on marketing and use as amended: Aluminium (CAS 7429-90-5)

### Other EU Regulations

This Safety Data Sheet complies with the requirements of Regulation (EC) No. 1907/2006.

### Japanese Regulations

Japanese Industrial Standards (JIS) JIS Z 7253:2012

Waste disposal and public cleaning law

Law for Promotion of Effective Utilization of Resources

### Taiwanese Regulations

Regulation of Labelling and Hazard Communication of Dangerous and Harmful Materials: Labeling requirements and other relevant provision of chemicals, this product is not classified as dangerous goods.

Toxic Chemicals Substance Control Law: Not Listed.

CNS 1030016 Safety of primary and secondary lithium cells and batteries during transport.

### Chinese Regulations

General Rule for Classification and Hazard Communication of Chemicals (GB 13690-2009): Specifies the classification, labeling and hazard communication of chemicals in compliance with the GHS standard for chemical production sites and labeling of consumer goods.

General Rule for Preparation of Precautionary Labels for Chemicals (GB 15258-2009): Specifies the relevant application methods of precautionary labels for chemicals.

Safety Data Sheet for Chemical Products Content and Order of Sections (GB/T 16483-2008)

## 16. Other Information

### Further Information

Data of sections 4 to 8, as well as 10 to 12, do not necessarily refer to the use and the regular handling of the product (in this sense consult package leaflet and expert information), but to release of major amounts in case of accidents and irregularities. The information describes exclusively the safety requirements for the product (s) and is based on the present level of our knowledge. This data does not constitute a warranty for the characteristics of the product(s) as defined by the legal warranty regulations. "(n.a. = not applicable; n.d. = not determined)"  
The data for the hazardous ingredients were taken respectively from the last version of the sub-contractor's safety data sheet.