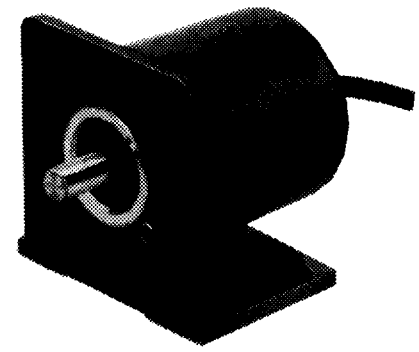


Shimpo RE1B Rotary Pulse Generator - RE1B-60C Instruction Manual

Description

Shimpo RE1B-60C is a solid state rotary pulse generator. This unit produces 60 digital pulses per shaft revolution. It is in a heavy duty aluminum die-cast housing with an 8mm shaft for long-life dependable operation.



Specifications

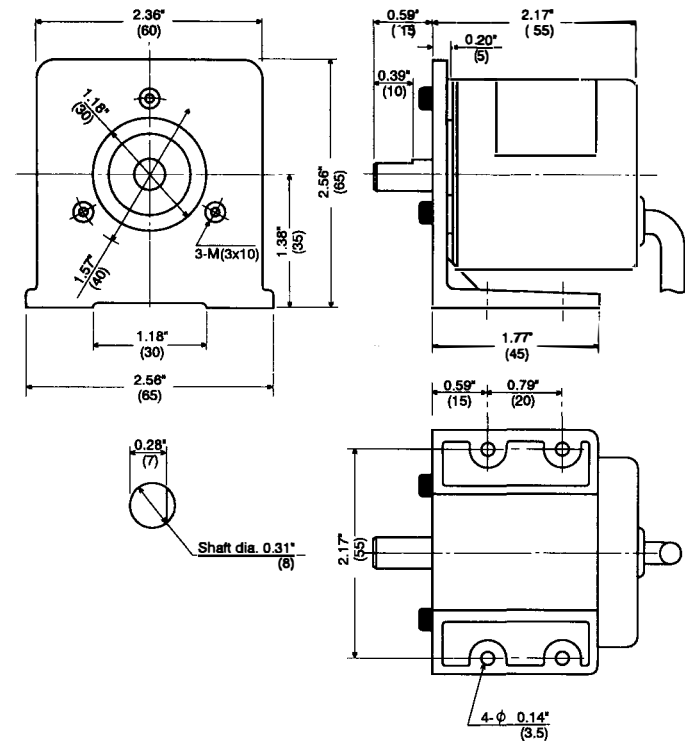
- Resolution: 60 pulses per revolution
- Maximum speed: 5000 RPM
- Power supply: 4.75 - 30VDC, 50mA (max)
- Output Voltage: logic "1" ...V_s - 2.5V, 10mA (max)
logic "0" ...less than 0.4V, 30 mA (max)
- Shaft torque: 0.41 oz-in, 30g-cm (max)
- Shaft allowable load: Overhung load 11 lbs.
Thrust load 6.6 lbs.
- Cable Length: 10 ft.
- Operation Temp.: 14° to 122°F (-10° to 50°C)
- Weight: 8.8 oz (250g)
- Construction: Die-cast aluminum housing
- Mounting: Base or face mounting

Note: Other than 60 pulses per revolution (PPR) are available up to 3,600PPR. Please consult Shimpo.

Connections

BRAID	EARTH GND
RED	+VDC
GREEN	SIGNAL
BLACK	GND

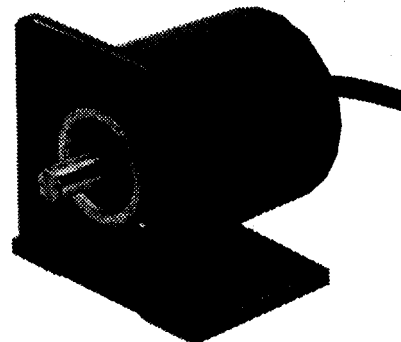
Dimensions



Shimpo RE1B Rotary Pulse Generator - RE1B-600C Instruction Manual

Description

Shimpo RE1B-600C is a solid state rotary pulse generator which produces 600 digital pulses per shaft revolution.



Specifications

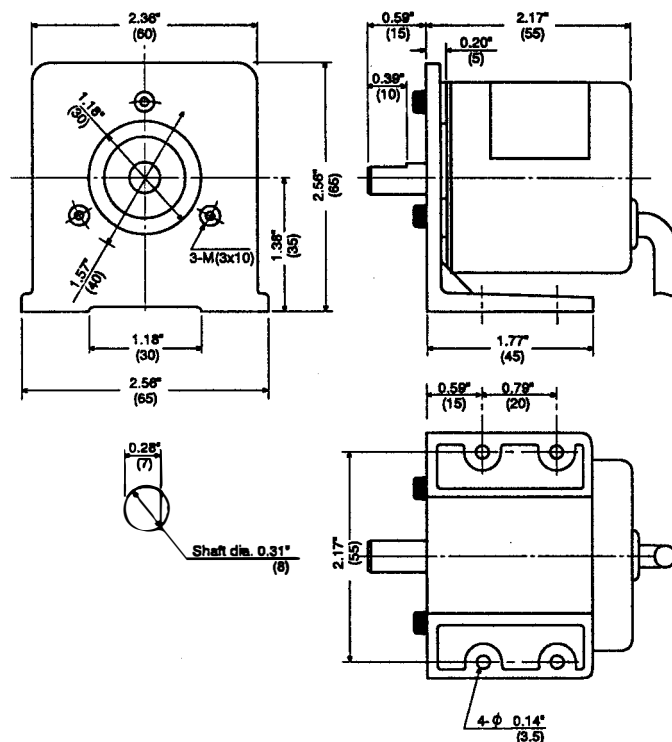
Resolution:	600 pulses per revolution
Maximum speed:	3000 RPM
Power supply:	4.75 - 30VDC, 50mA (max)
Output Voltage:	logic "1" ...V _s - 2.5V, 10mA (max) logic "0" ...less than 0.4V, 30 mA (max)
Shaft torque:	0.41 oz-in, 30g-cm (max)
Shaft allowable load:	Overhung load 11 lbs. Thrust load 6.6 lbs.
Cable Length:	10 ft.
Operation Temp.:	14° to 122°F (-10° to 50°C)
Weight:	8.8 oz (250g)
Construction:	aluminum housing
Mounting:	Base or face mounting

Note: Additional PPR available up to 1000 PPR. Please consult Shimpo.

Connections

BRAID	EARTH GND
RED	+VDC
GREEN	SIGNAL
BLACK	GND

Dimensions



Shimpo RE1B Rotary Pulse Generator - RE1B-1000C

Description

Shimpo RE1B-1000C is a solid state rotary pulse generator which produces 1000 digital pulses per shaft revolution.

Specifications

Resolution:	1000 pulses per revolution
Maximum speed:	1800 RPM
Power supply:	4.75 - 30VDC, 50mA (max)
Output Voltage:	logic "1" ... $V_s - 2.5V$, 10mA (max) logic "0" ... less than 0.4V, 30 mA (max)
Shaft torque:	0.41 oz-in, 30g-cm (max)
Shaft allowable load:	Overhung load 11 lbs. Thrust load 6.6 lbs.
Cable Length:	3 ft.
Operation Temp.:	14° to 122°F (-10° to 50°C)
Weight:	8.8 oz (250g)
Construction:	Die-cast aluminum housing
Mounting:	Base or face mounting

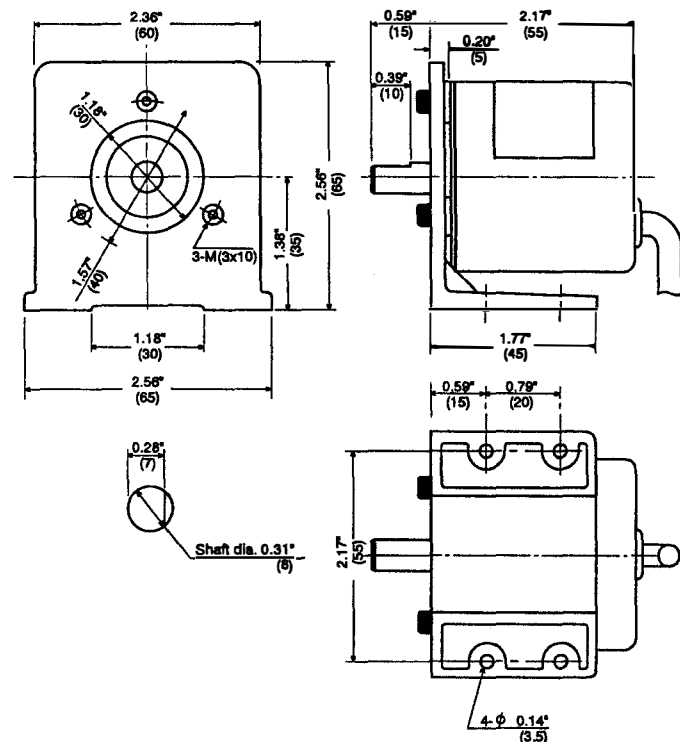
Note: Additional PPR available.

Connections

BRAID	EARTH GND
RED	+VDC
GREEN	SIGNAL
BLACK	GND



Dimensions



ROTARY PULSE GENERATOR

MODEL RE2B-30C

Description:

The Shimpo RE2B-30C is a quadrature rotary pulse generator which produces two outputs that exhibit a quadrature relationship to one another. A zero position output is also available to mark the reference position of the shaft.

Specifications:

Resolution: 30 pulses per revolution

Maximum Speed: 5000 rpm

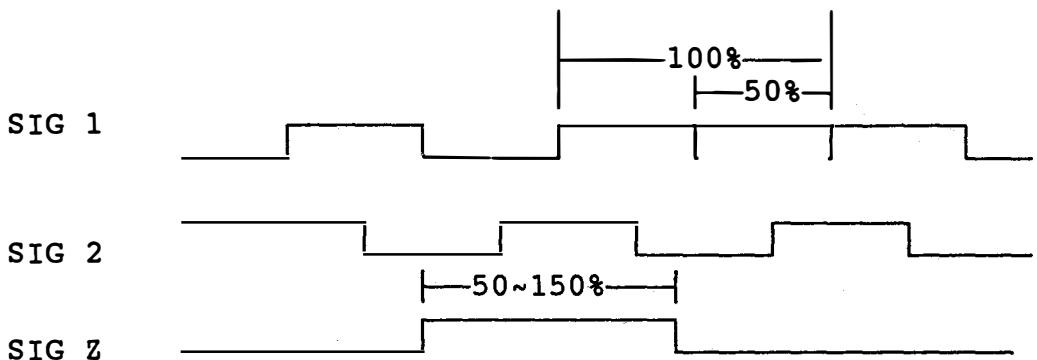
Power Supply: 4.75~30VDC, 60mA (max.)

Output Signal: logic "1"... Supply Voltage minus 2.5V or
more, 10mA (max.)
logic "0"... less than 0.4V, 30mA (max.)

Duty Cycle: 50% ($\pm 25\%$)

Quadrature Output Phase: 90° ($\pm 45^\circ$)

Zero Signal Width: 50~150% of the signal cycle.



Shaft Torque: 0.41 oz-in. (30g-cm) max.

Shaft Allowable Load: Overhung load: 11 lbs. (5Kg)
Thrust load: 6.6 lbs. (3Kg)

Cable Length: 10 feet

Operation Temperature: 14° - 122° F (-10° C - 50° C) non-condensing

ROTARY PULSE GENERATOR MODEL RE2B-30C

Description:

The Shimpo RE2B-30C is a quadrature rotary pulse generator which produces two outputs that exhibit a quadrature relationship to one another. A zero position output is also available to mark the reference position of the shaft.

Specifications:

Resolution: 30 pulses per revolution

Maximum Speed: 5000 rpm

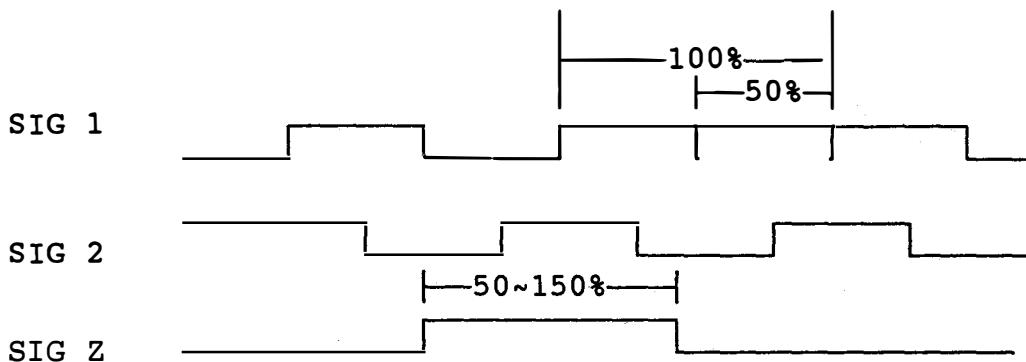
Power Supply: 4.75N30VDC, 60mA (max.)

Output Signal: logic "1"... Supply Voltage minus 2.5V or more, 10mA (max.)
logic "0"... less than 0.4V, 30mA (max.)

Duty Cycle: 50% ($\pm 25\%$)

Quadrature Output Phase: 90° ($\pm 45^\circ$)

Zero Signal Width: 50N150% of the signal cycle.



Shaft Torque: 0.41 oz-in. (30g-cm) max.

Shaft Allowable Load: Overhung load: 11 lbs. (5Kg)
Thrust load: 6.6 lbs. (3Kg)

Cable Length: 10 feet

Operation Temperature: 14° - 122° F (-10° C - 50° C) non-condensing

ROTARY PULSE GENERATOR

MODEL RE2B- 600C

Description:

The Shimpo RE2B-30C is a quadrature rotary pulse generator which produces two outputs that exhibit a quadrature relationship to one another. A zero position output is also available to mark the reference position of the shaft.

Specifications:

Resolution: 600 pulses per revolution

Maximum Speed: 5000 rpm

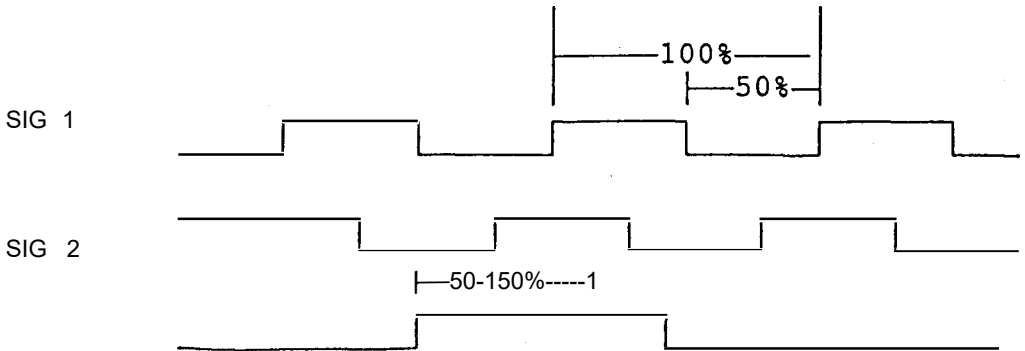
Power Supply: 4.75-30VDC 1 60mA (max.)

Output Signal: logic "I"... Supply Voltage minus 2.5V or more, 10mA (max.)
 logic "O"... less than 0.4V, 30mA (rmax.)

Duty Cycle: 50% (±25%)

Quadrature Output Phase: 90° (±45°)

Zero Signal Width: 50-150% of the signal cycle.



SIG Z

Shaft Torque: 0.41 oz-in. (30g-cm) max.

Shaft Allowable Load: overhung load: 11 lbs. (5Kg)

Thrust load: 6.6 lbs. (3Kg)

Cable Length: 1.6 feet

Operation Temperature: 14° -122° F (-10° C - 50° C) non-condensing