



Easy, accurate tension control

Improve safety and
consistency in cable
and wire rope
installation and
maintenance



Dependable, Convenient Tension Measurement

- Measures 7x19 wire rope up to 3/4", and other flexible materials
- Tension ranges from 20 to 2,000 lb.
- Custom-calibrated for your application
- Equipped with rollers for moving materials
- Selectable units (lb., kg, or daN)
- Quick, easy operation
- Continuous or single-point data storage
- Onboard data statistics
- Analog or serial output (optional)
- Easy-to-read, digital display
- Color-bar graphic provides quick visual of tension levels
- Long-lasting, durable construction
- Includes sturdy carrying case and NIST-traceable calibration certificate

Versatile Tension Measurement for:

- Catenary systems
- Elevator cables
- Telecommunications cables
- Guy wires
- Zip lines
- Entertainment rigging
- Safety cables
- Tension wire

Specifications

- **Warranty:** one year against factory defects
- **Accuracy:** +/- 2% full-scale. Accuracy may differ depending on material measured.
- **Battery:** NiMH (NOT lithium ion). Rechargeable. Up to 8 hours continuous use per charge.

Models

Style	Model	Range (lb.)	Accuracy (lb.) Material -	Resolution (lb.)	Maximum diameter 7x19 wire rope	Other Materials
Small (15" wide)	CX-250-SM-1	20 - 250	+/- 5	0.2	3/16" (4.8 mm)	Contact Tensitron about measuring other materials and/or diameters.
	CX-500-SM-1	20 - 500	+/- 10	1		
	CX-1000-SM-1	50 - 1000	+/- 20	5		
Medium (16.73" wide)	CX-1000-M-1	50 - 1000	+/- 20	5	1/4" (6.35 mm)	
	CX-2000-M-1	100 - 2000	+/- 40	10		
Standard (19.73" wide)	CX-1000-1	50 - 1000	+/- 20	5	3/4" (19 mm)	
	CX-2000-1	100 - 2000	+/- 40	10		

Options

Data Output:

- Analog Output (Option A) OR
- RS-232 Serial Output (Option E)

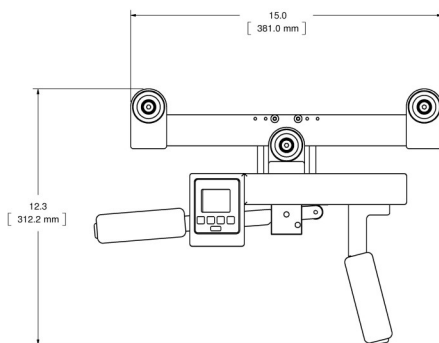
Rollers: Standard CX-1 rollers are flanged, with 7/8" outside diameter and working length of 3/4". For flat materials, order 2" or 3" cylindrical rollers are available (Option R).

Calibration

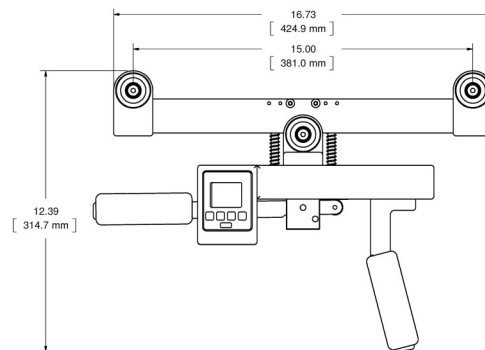
CX-1 meters are custom-calibrated for each material to be measured.

Up to 10 calibrations are available.

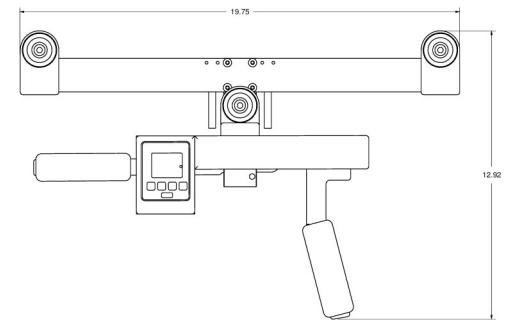
A 10-foot sample of each material will be needed for the calibration.



Small CX-1 (15" wide)



Medium CX-1 (16.73" wide)



Standard CX-1 (19.73" wide)