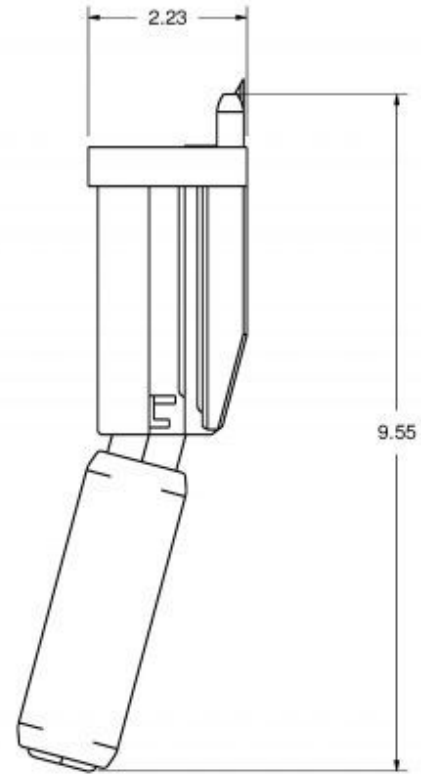
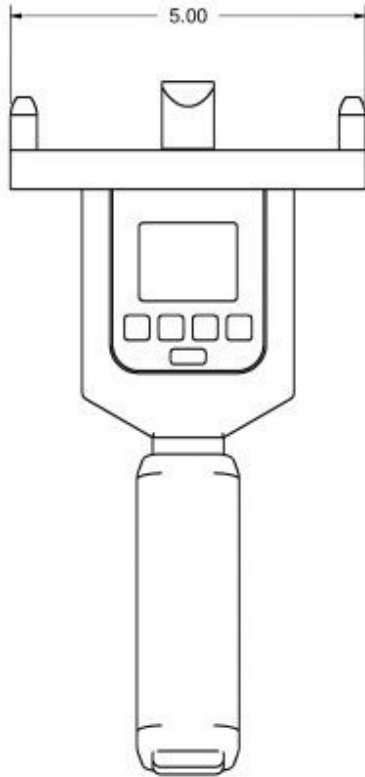


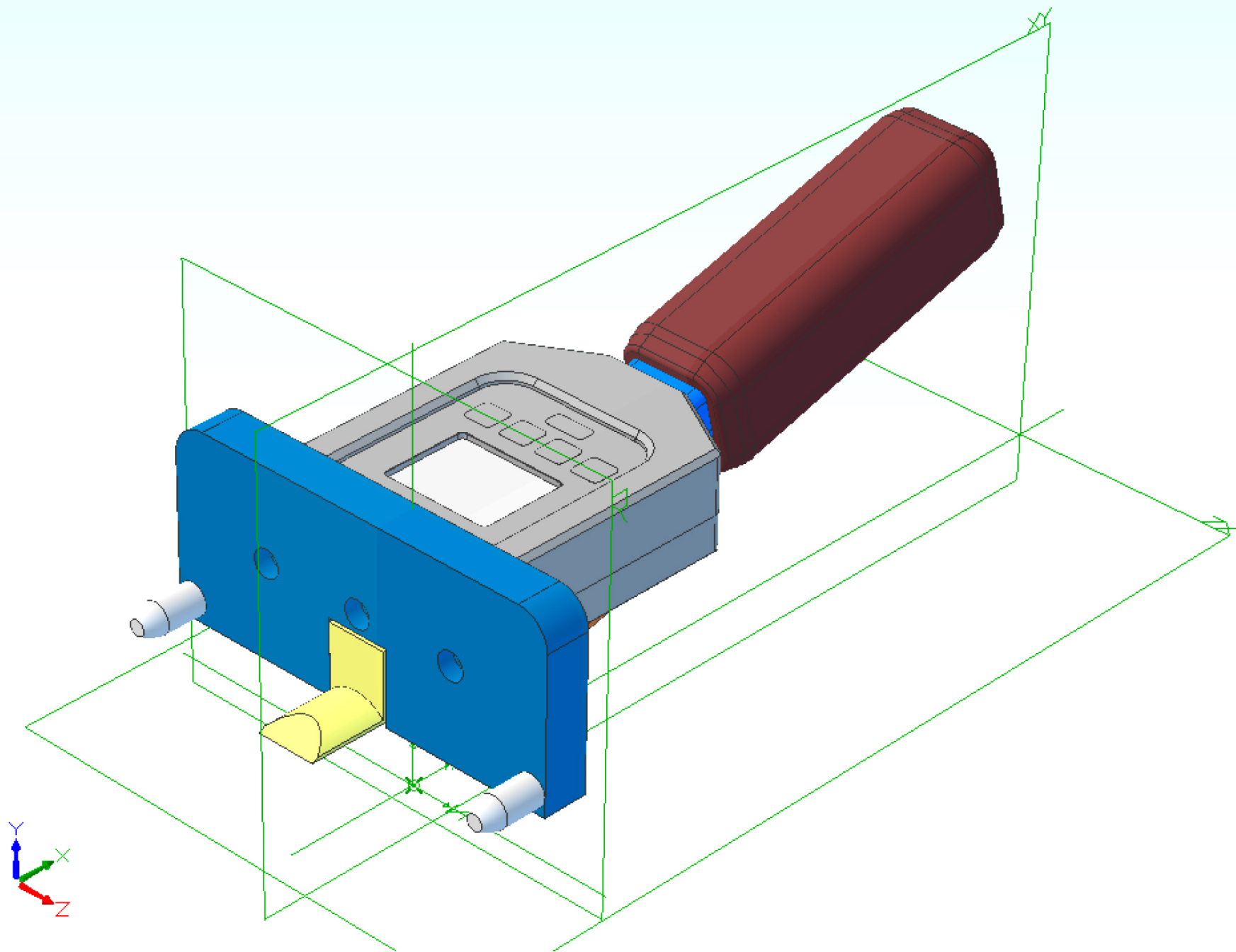
Distributed by: ABQ Industrial LP USA
Tel: +1 (281) 516-9292 / (888) 275-5772 **eFax:** +1 (866) 234-0451
Web: https://www.abqindustrial.net **E-mail:** info@abqindustrial.net



Revision History				
Zone	Rev.	Description	Date	Approval



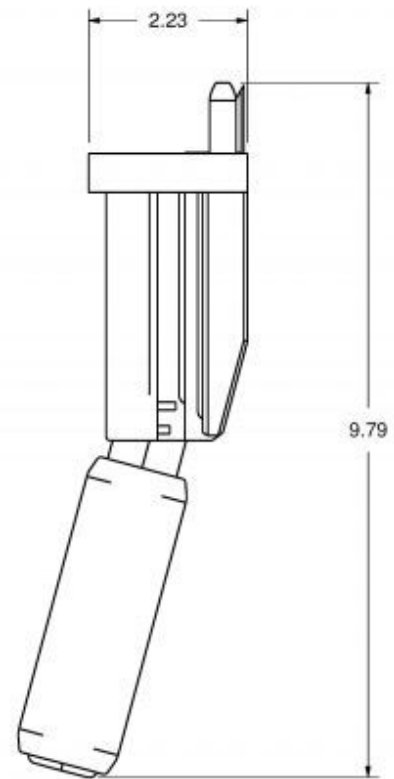
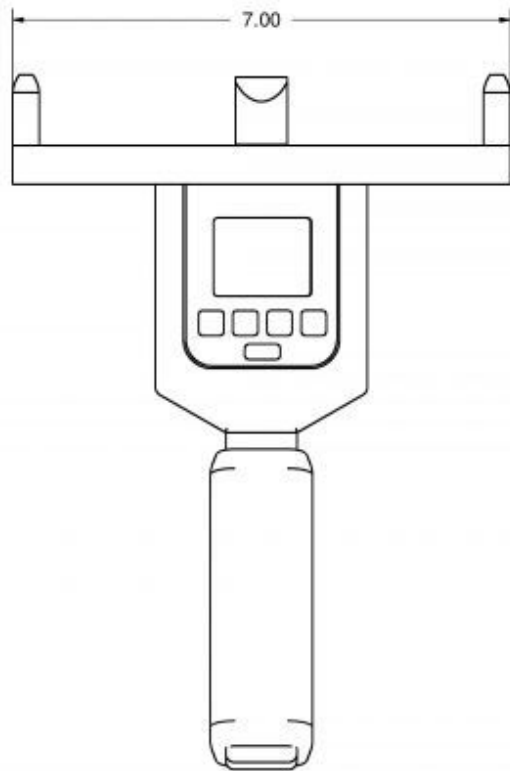
Material				Finish		Heat Treat										
<p style="text-align: center;">DIMENSIONAL TOLERANCES UNLESS OTHERWISE SPECIFIED</p> <table border="1"> <tr> <td>.XXX</td> <td>.XXX</td> <td>.XX</td> <td>ANGLE</td> </tr> <tr> <td>±.0005</td> <td>±.005</td> <td>±.01</td> <td>± 1'</td> </tr> </table>				.XXX	.XXX	.XX	ANGLE	±.0005	±.005	±.01	± 1'	TITLE		Weight		
.XXX	.XXX	.XX	ANGLE													
±.0005	±.005	±.01	± 1'													
				STX-250-1		TENSITRON										
				DIGITAL STRAP TENSION METER		 733 South Bowen Street Longmont, CO 80501										
Scale		No. Req'd		Drawn	Date	Size	Drawing Number	REV								
		1		M. BROCKMAN	6-5-14		STX-250-1	1								
Next Assy				Checked	Date	DIMENSIONED DRAWING WITH BORDER										
				Approved	Date											



A B C D E F G

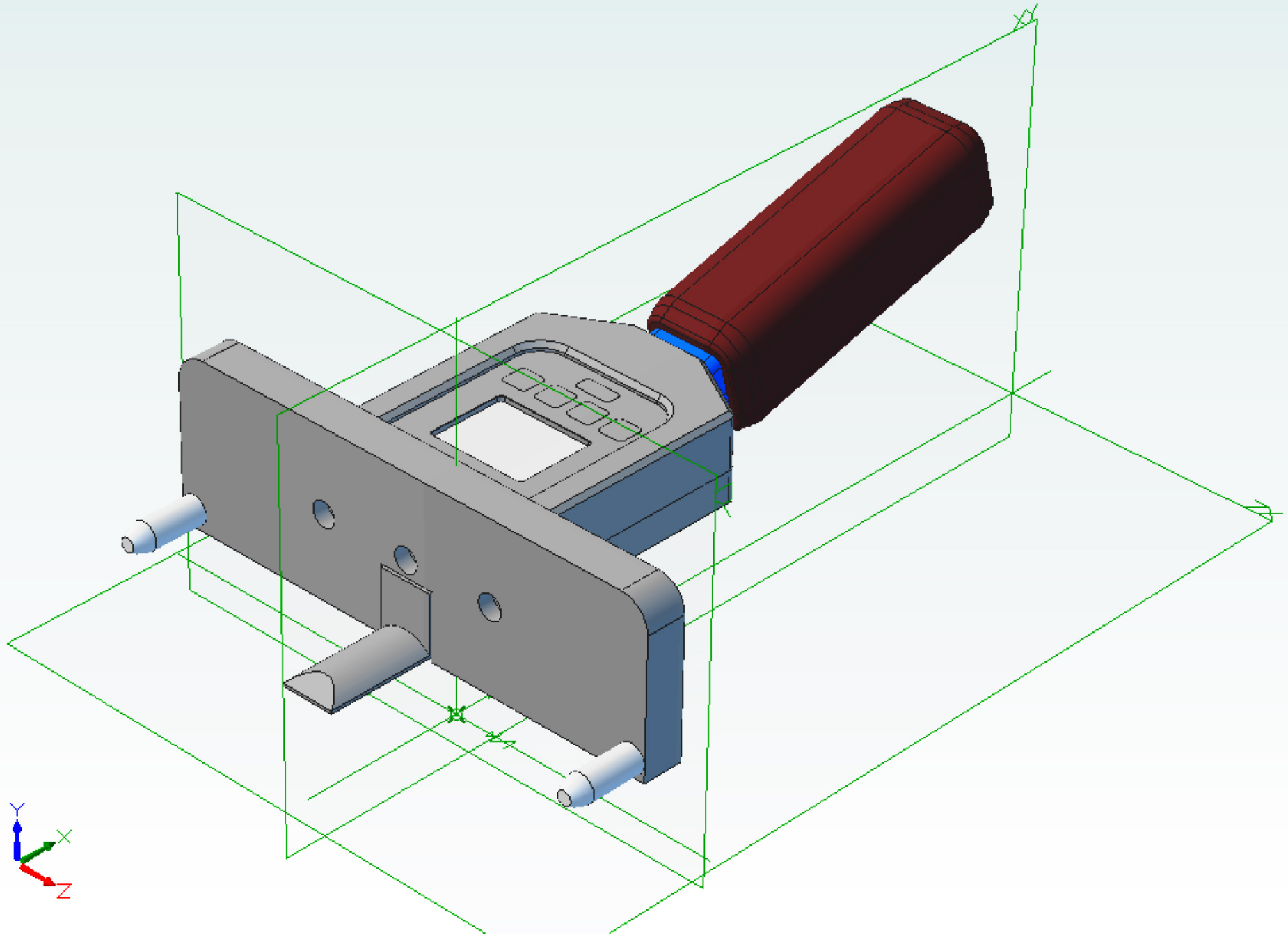
Revision History				
Zone	Rev.	Description	Date	Approval

1
2
3
4
5
6



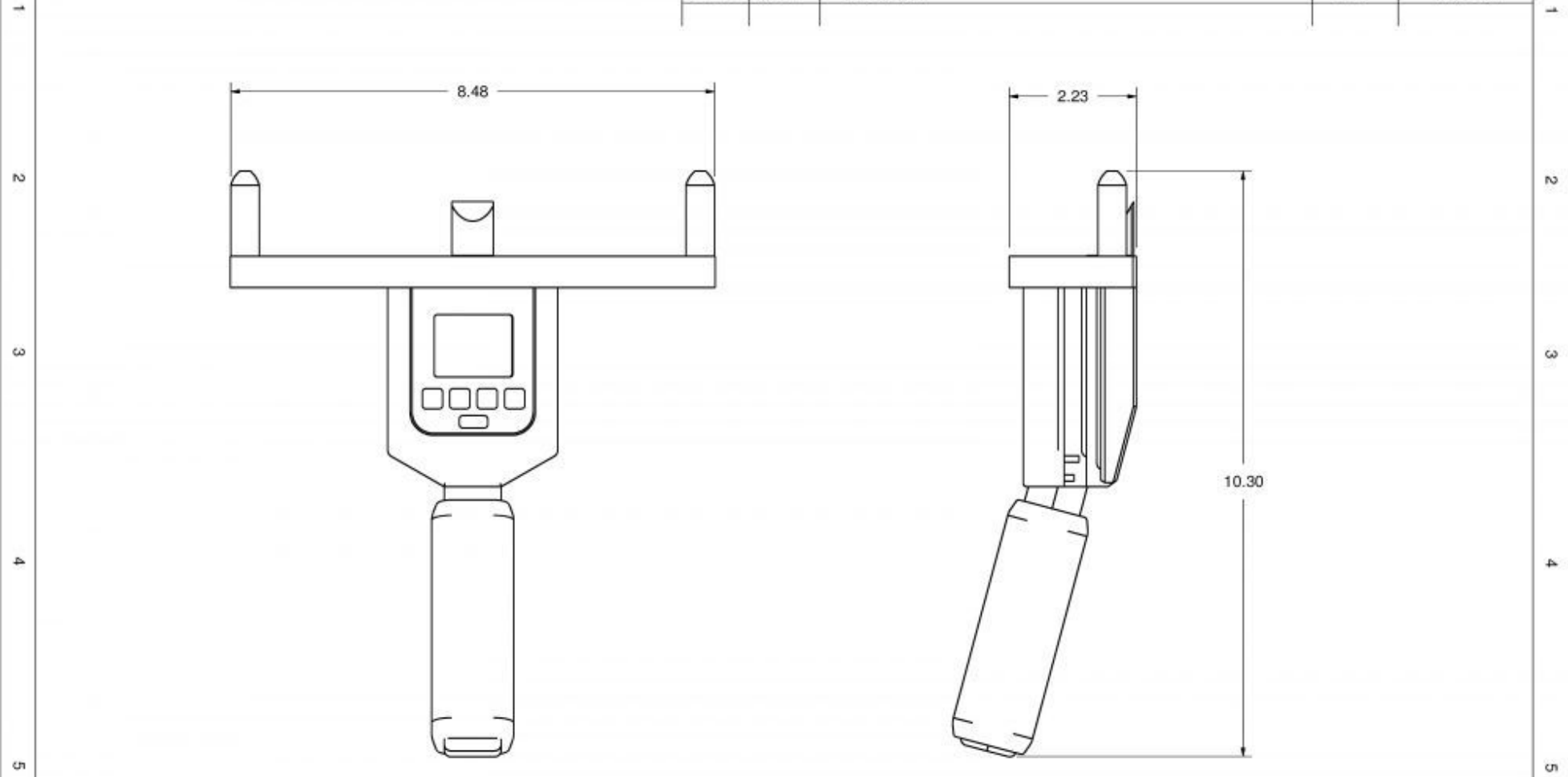
Material				Finish		Heat Treat		
DIMENSIONAL TOLERANCES UNLESS OTHERWISE SPECIFIED				TITLE		TENSITRON  733 South Bowen Street Longmont, CO 80501		
.XXXX	.XXX	.XX	ANGLE	STX-500-1 DIGITAL STRAP TENSION METER		Size	Drawing Number	REV
± .0005	± .005	± .01	± 1'					
Scale		No. Req'd 1		Drawn M. BROCKMAN	Date 6-5-14			
Next Assy				Checked	Date			
				Approved	Date			


A B C D E F G



A B C D E F G

Revision History				
Zone	Rev.	Description	Date	Approval



Material				Finish		Heat Treat		
DIMENSIONAL TOLERANCES UNLESS OTHERWISE SPECIFIED				TITLE		Weight		
.XXX	.XXX	.XX	ANGLE	STX-2000-1 DIGITAL STRAP TENSION METER		 733 South Bowen Street Longmont, CO 80501		
±.0005	±.005	±.01	± 1'					
Scale		No. Req'd 1		Drawn M. BROCKMAN	Date 6-5-14	Size	Drawing Number	REV
Next Assy				Checked	Date		STX-2000-1	1
				Approved	Date		DIMENSIONED DRAWING WITH BORDER	

A B C D E F G