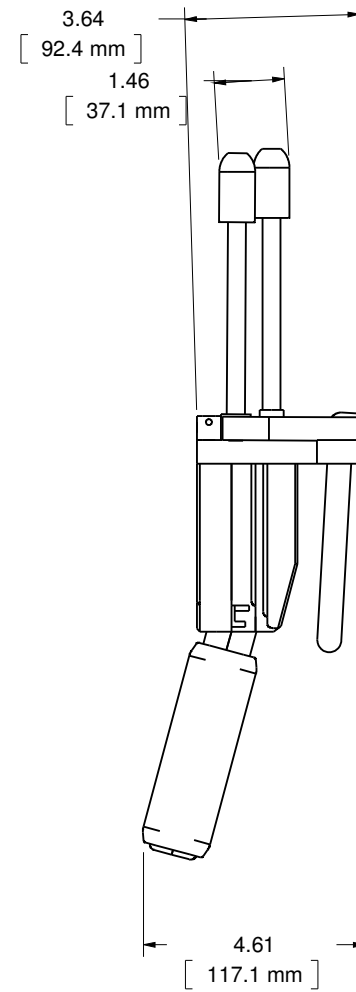
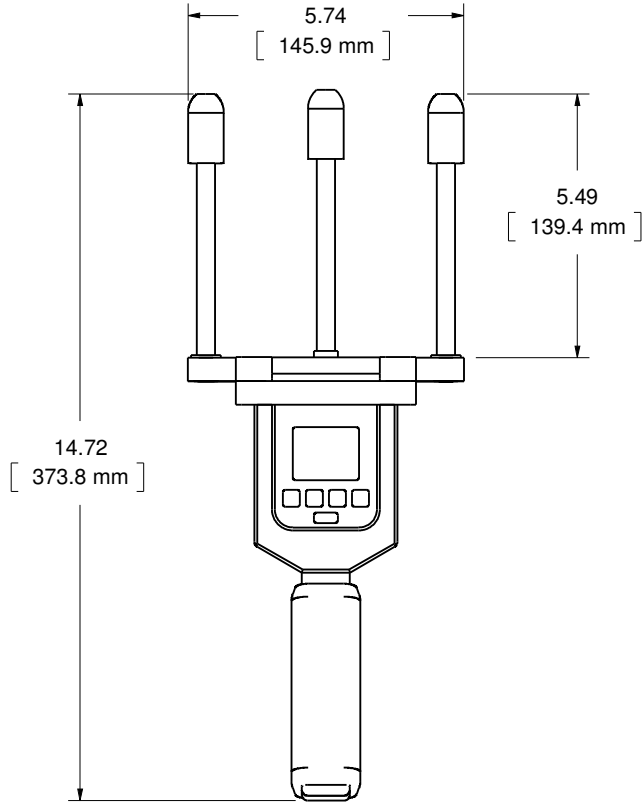


Distributed by: ABQ Industrial LP USA
Tel: +1 (281) 516-9292 / (888) 275-5772 **eFax:** +1 (866) 234-0451
Web: <https://www.abqindustrial.net> **E-mail:** info@abqindustrial.net



Revision History				
Zone	Rev.	Description	Date	Approval

Material				Finish				Heat Treat										
DIMENSIONAL TOLERANCES UNLESS OTHERWISE SPECIFIED <table border="1"> <tr> <td>.XXXX</td> <td>.XXX</td> <td>.XX</td> <td>ANGLE</td> </tr> <tr> <td>±.0005</td> <td>±.005</td> <td>±.01</td> <td>± 1°</td> </tr> </table>				.XXXX	.XXX	.XX	ANGLE	±.0005	±.005	±.01	± 1°	WX DIGITAL BELT / WEB TENSION METER				TENSITRON 733 South Bowen Street Longmont, CO 80501		
.XXXX	.XXX	.XX	ANGLE															
±.0005	±.005	±.01	± 1°															
Scale		No. Req'd 1		Drawn M. BROCKMAN		Date 12/1/17		Size	Drawing Number	REV								
Next Assy				Checked		Date		WCX-1										
				Approved		Date		DIMENSIONED DRAWING WITH BORDER										
								1										

