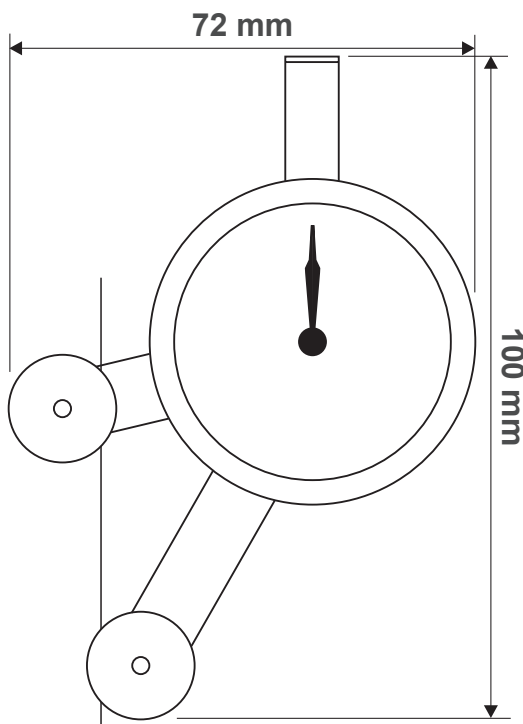
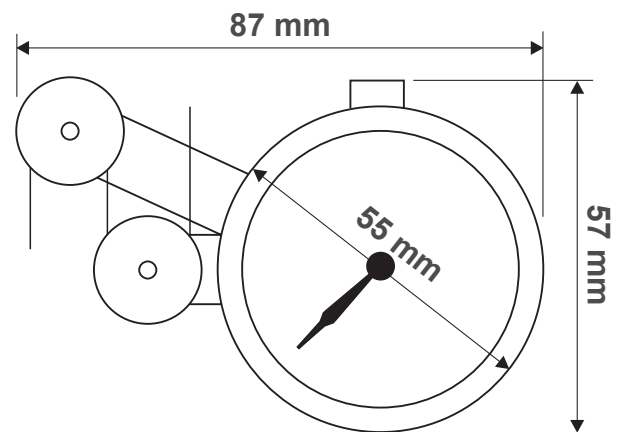


Tension Meter Model TEN



rest position



measuring position